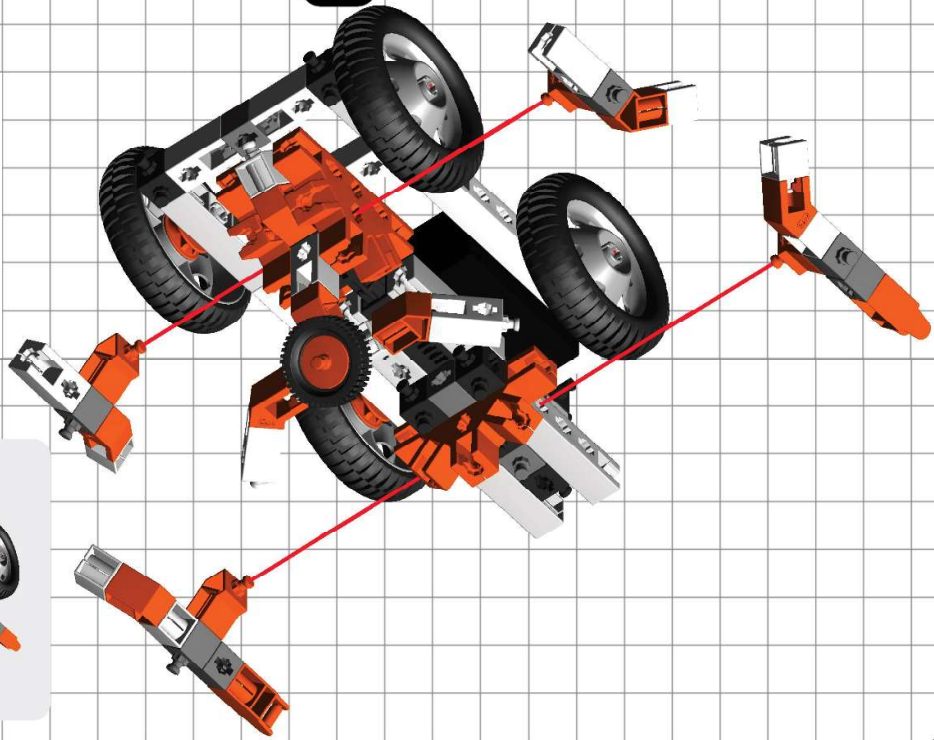


- 13
- 12
- 11
- 10
- 09
- 08
- 07
- 06
- 05
- 04
- 03
- 02
- 01

90

THINK
LEARNING THROUGH
ENGINEERING
play to invent
LEGO



90

